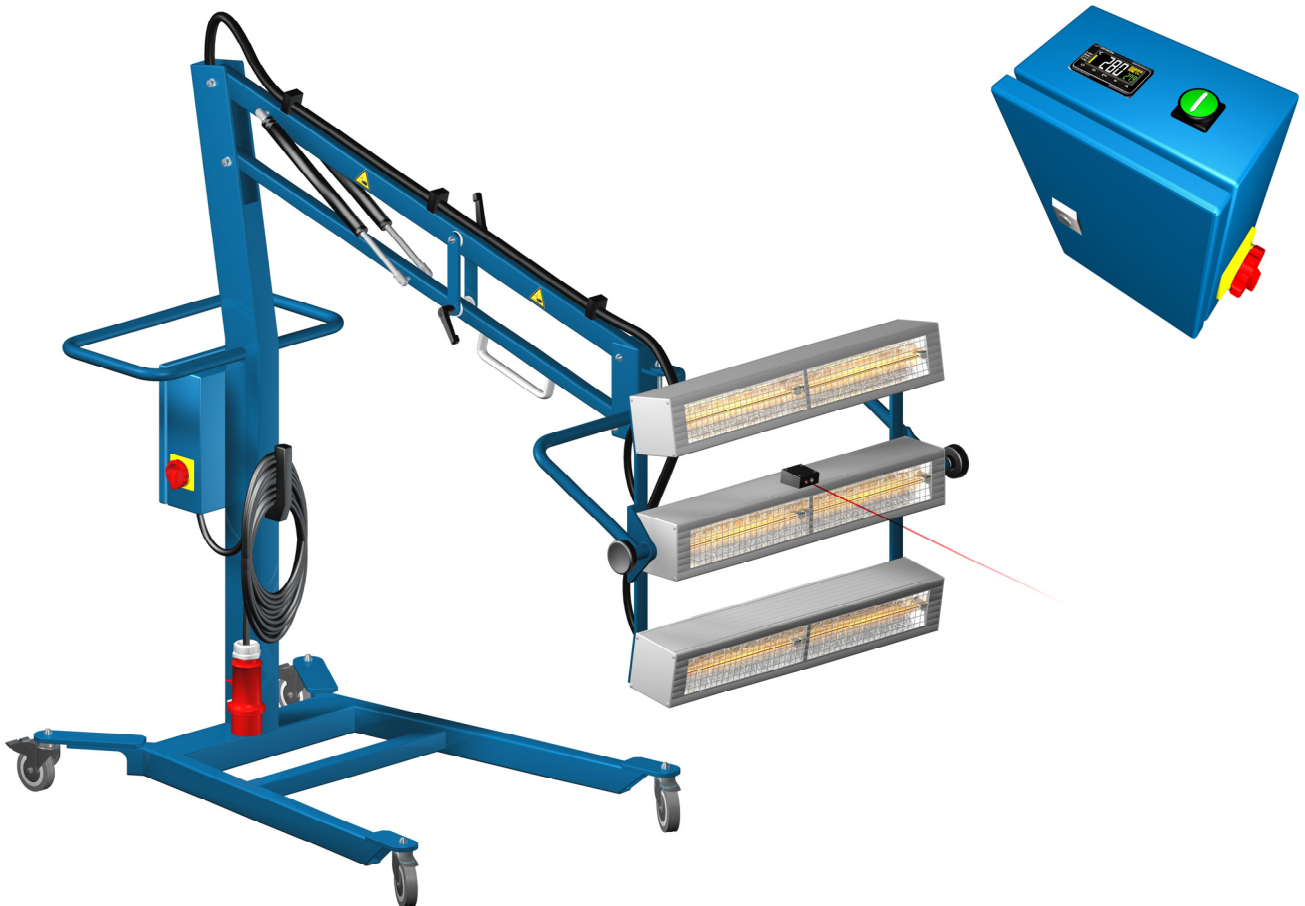


Mobile Stand

Model IR-M

Mobile stand for surface drying with high-performance infrared module and automatic temperature control. Special suited for drying works at large surfaces. The shortwave energy penetrates the lacquer coating and dries it from the inside. This means being able to work with higher performance output without having to risk bubble formation – which results in a **shorter drying time**.



- ▶ performance level at 100% within 1-2 seconds → no heat-up time or cooling-off period
- ▶ max. connected load 10 kW (4 x 2 kW + 2 x 1 kW) - 3 x 400 V + N + PE (50/60 Hz)
- ▶ digital temperature control with actual value and set point display
- ▶ digital timer for drying time 0...9999 min
- ▶ automatic temperature control with radiation pyrometer, distance ratio 15:1 (measuring spot Ø 3.7 cm at 55 cm working distance)
- ▶ starting ramp adjustable for smooth starting
- ▶ laser pilot light for measuring spot marking
- ▶ Able to reach all parts of the bodywork. From sill panel to roof (even SUVs).
- ▶ homogeneously heats an area of W=0,85 m; H=1,3 m
- ▶ working distance 55 cm
- ▶ height-adjustable arm from approx. 48 ... 236 cm
- ▶ automatic counter balance through gas spring
- ▶ IR-field stepless inclinable and swiveling
- ▶ emitter field tilting stepless (90°)
- ▶ all settings lockable
- ▶ IR modules use integrated fans to keep the casings surfaces cool and keep dirt away from the reflector and the emitter.
- ▶ double reflector system: the IR-emitters are coated with a ceramics reflector on the back and there is an additional polished-aluminium reflector inside the casing
- ▶ 10 m connecting cable with 16A CEE plug
- ▶ 4 big ball bearing wheels (Ø 10 cm, 2 pcs. lockable)
- ▶ main switch
- ▶ protection class: IR-module IP 20; electronic IP 54
- ▶ weight: approx. 70 kg

Item-no.: 600.1730.1



All prices excl. VAT – July 2016

z:\publishingdaten\prospekte\infrarotstrahler\stative\fahrstativ\irm_eng_doc_strahler_stativ\ir_m.doc

All pictures are approximations
Documentation last updated: 20.04.2016