

# IRM-2 Stand

Infrared lacquer dryer for short drying time

**OPTRON**  
I N F R A R E D - H E A T

Stand for simple spot repair use at the lacquer drying.

**Incredible universal usable !**

**For all drying works from the roof to the sill !**

**With a few handgrips upgrade- and convertible !**

**The IR-modules are optionally mountable at the frame, movable and rotatable.**

**Optron IR-modules work in a shortwave IR-range.**

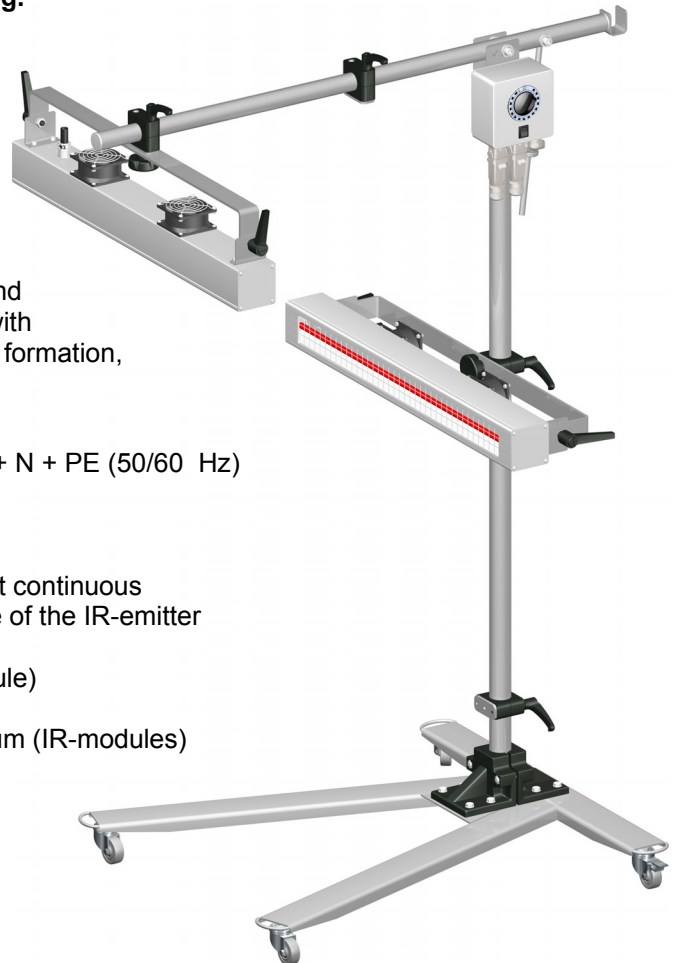
The shortwave energy penetrates the lacquer coating and dries it from the inside. This means being able to work with higher performance output without having to risk bubble formation, which results in a shorter drying time.

- ▶ 100% power within 1-2 seconds
- ▶ connected value: max. 2 IR-modules à 3 kW; 400 V + N + PE (50/60 Hz)
- ▶ Power switchable in two steps (50% or 100%)
- ▶ IR-modules with Harting-connectors
- ▶ timer switch: 0 ... 30 min.
- ▶ In the IR-modules integrated fans guarantees also at continuous operation small casing temperature and long lifetime of the IR-emitter
- ▶ all adjustments lockable through rotary levers
- ▶ drying surface: approx. 0.9 x 0.5 m (per 3kW IR-module)
- ▶ working distance: 55 cm
- ▶ material: stainless steel (foot and frame) and aluminium (IR-modules)
- ▶ small ground clearance of the driving stand (80 mm)
- ▶ 10 m connecting cable with 16 A CEE-plug
- ▶ weight: approx. 20 kg

By loosening the star screw the IR-modules can be mounted at the vertical or horizontal frame. There are 2 clamps at the vertical and 2 clamps at the horizontal frame.

**IRM-2 stand without IR-modules**

**item-no.: 600.1797**



views without cables



injury protection



timer switch, cable suspension, height adjustment

All prices excl. VAT – July 2016  
Z:\Publishingdaten\prospekte\infrarotstrahler\stative\irm\_2\irm\_2\_eng.doc

All pictures are approximations →  
Documentation last updated: 05.03.2015

**OPTRON GMBH** • Steinriede 12 • D-30827 Garbsen / Hannover • Germany  
Phone : +49 (0)5131 7083 - 0 • Fax. : +49 (0)5131 7083 - 25  
www.optron-gmbh.de • e-mail: mail@optron-gmbh.de

# IRM-2 Stand

Infrared lacquer dryer for short drying time



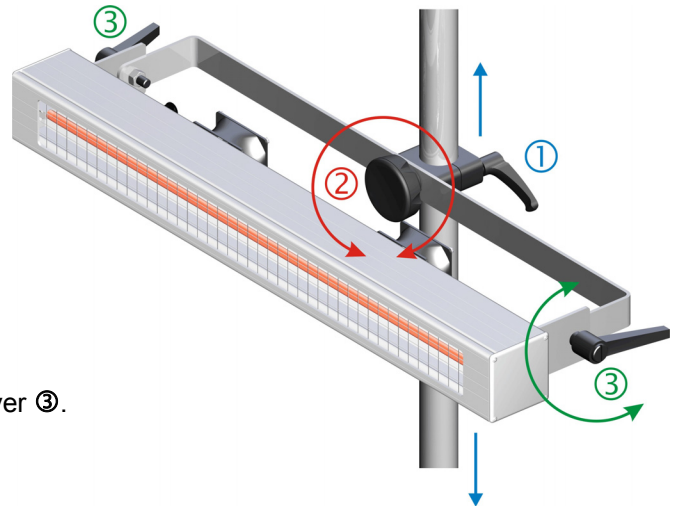
## Possibility of positioning the IR-modules

By loosening the locking lever ① the IR-modules can be moved on the frame.

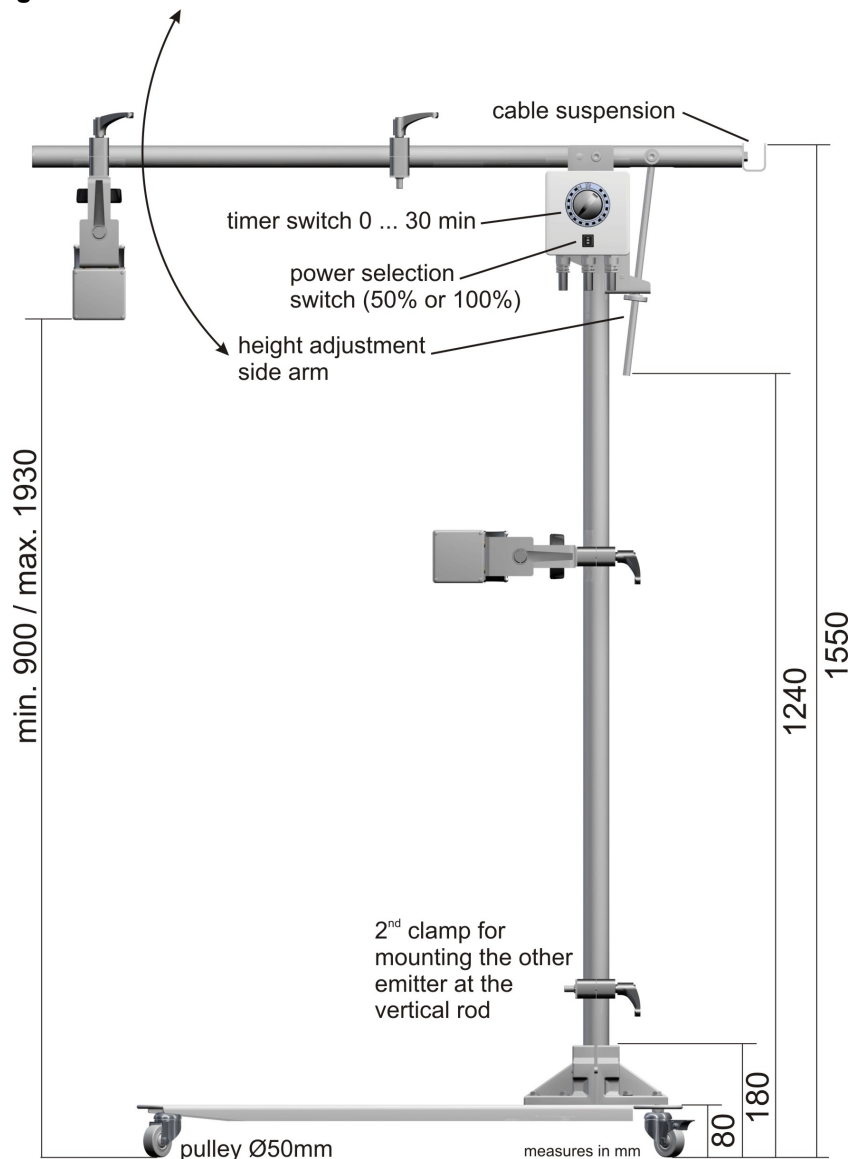
By loosening the star screw ② the whole module can be rotated.

To mount the IR-module loose the star screw ② completely.

For incline the IR-module please loose the locking lever ③.



## Dimensioned drawing



All prices excl. VAT – July 2016  
Z:\Publishingdaten\prospekte\infrarotstrahler\stative\irm\_2\irm\_2\_eng.doc

All pictures are approximations →  
Documentation last updated: 05.03.2015

**OPTRON GMBH** • Steinriede 12 • D-30827 Garbsen / Hannover • Germany  
Phone : +49 (0)5131 7083 - 0 • Fax. : +49 (0)5131 7083 - 25  
www.optron-gmbh.de • e-mail: mail@optron-gmbh.de

## IRM-2 Stand

Infrared lacquer dryer for short drying time

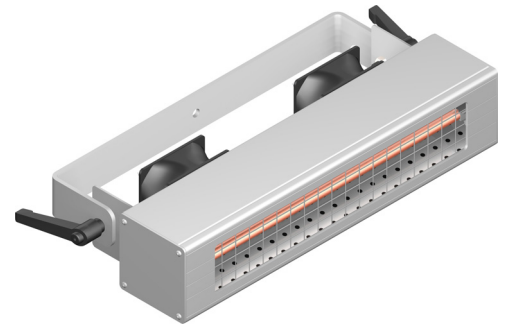


IR-modules for IRM-2 stand incl. mounting bracket,  
rotary levers and connection cable with Harting plug.

### IR-module 380 K

**2 kW, shortwave IR-emitter**  
applicable for IRM-2 and KL-3 stands  
length 380 mm

**Item-no.: 600.1759**



### IR-module 380 SM

**2 kW, fast medium wave IR-emitters  
with reduced dazzle effect**  
applicable for IRM-2 and KL-3 stands  
length 380 mm

**Item-no.: 600.1960**

### IR-module 750 K

**3 kW, shortwave IR-emitter**  
applicable for IRM-2 and KL-3 stands  
length 750 mm

**Item-no.: 600.1961**

### IR-module 750 SM

**3 kW, fast medium wave IR-emitters  
with reduced dazzle effect**  
applicable for IRM-2 and KL-3 stands  
length 750 mm

**Item-no.: 600.1962**

