

Ceilings-Mounted Stand DS21

Spot repair – Lacquer drying

**A stationary stand for maximum ground clearance.
Uncompromising freedom of movement through absolutely
smooth-running motion control.**

- Easy changeable IR-modules
- Ceilings mounting
- Optimal freedom of movement through internal power conduit (feed-in from the ceiling)
- Automatic counter balance
- Jointed arm with parallel adjustment enables ergonomic and effective operator guidance

Ceilings-Mounted Stand DS21 with jointed arm to support different IR-modules (modules have to be ordered separately).

mains connection: terminals at the ceiling
colour: grey white, RAL 9002
weight: approx. 28 kg

item-no.: 600.1765



Adaptable IR-modules

- IR-modules are inclinable, swivelling and rotatable at 360°
- Power 2 kW, 2x 1.5 kW or 2x 0.8 kW
- High penetration depth of the shortwave IR irradiation
- Double reflector system: the IR tube is furnished with a back-mounted ceramics reflector and an additional polished aluminium reflector inside the casing
- Automatic temperature control through integrated radiation pyrometer
- Optical distance detection
- Digital timer 0 ... 999 minutes
- On / Off switch
- Produced according VDE, CE
- Protection class IP20

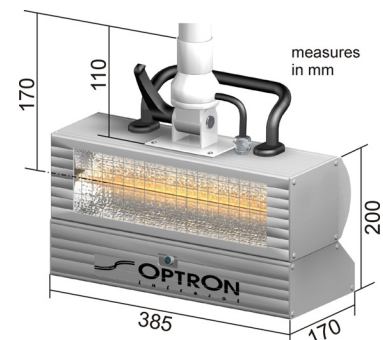
IR-module type 1x 2 kW; 230V (50/60 Hz)

Small design, suitable for drying works at difficult to access parts.
Drying surface approx. 300 x 250 mm (width x height)
at a working distance of 55 cm.

Large air filter reduces maintenance as well dusty ambient air.

Colour: alu nature anodised
Weight: 6.0 kg

item-no.: 600.2200.2



Alle Preise zzgl. gesetzl. MwSt.

Z:\Publishingdaten\prospekte\infrarotstrahler\stative\deckenstative\ds21_eng.doc

Abbildung ähnlich

Stand-Dokumentation: 20.11.2019

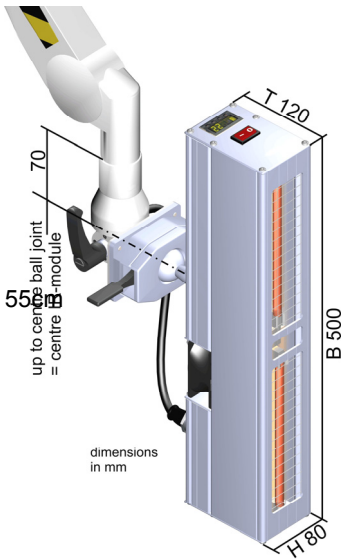
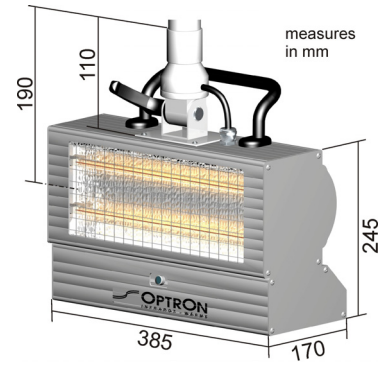
IR-module type 2x 1.5kW; 230V (50/60 Hz)

Compact design, suitable for drying works at medium-sized surfaces.
Drying surface approx. 300x350mm (width x height)
at a working distance of 55cm

Colour: alu nature anodised

Weight: 6.4 kg

item-no.: 600.2201.2



IR-module type 2x 0.8 kW; 230V (50/60 Hz)

Extremely small design, therefore suitable for drying work at difficult to access parts, for example in the vehicle door area.
Special execution with additional ball joint for positioning in all directions.
Drying surface approx. 450x200mm (width x height) at a working distance of

Colour: alu nature anodised

Weight: 6.0 kg

item-no.: 600.2210.4

IR-module type 2x 1.5 kW; 230V (50/60 Hz)

Extremely small design, therefore suitable for drying work at difficult to access parts, for example in the vehicle door area, sill, A/B-pillar, etc.

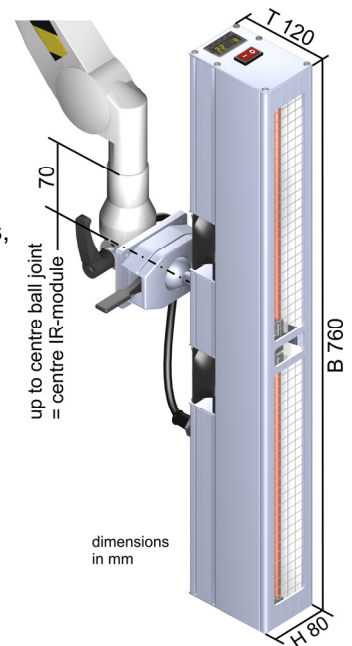
Special execution with additional ball joint for positioning in all directions.

Drying surface approx. 710x200mm (width x height) at a working distance of 55cm

Colour: alu nature anodised

Weight: 7.5 kg

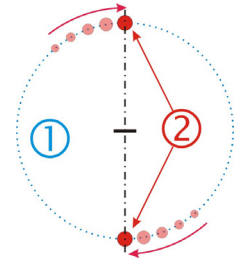
item-no.: 600.2211.3



Measuring spot / working distance indication

The measuring spot of a radiation pyrometer is the area where the temperature is metered. The size of the measuring spot depends on the distance between the pyrometer/device under test and on the optics of the device.
 Distance proportion (relative)=distance/size of measuring spot
 (here 55/5,5=10/1)

The two laserdots mark the outside edge of the circular measuring spot. By changing of the distance to the irradiation surface, the laserdots move the diameter as shown. The correct working distance is reached when the both laserdots are standing vertical one above the other.



Measuring spot \odot Ø5,5cm at 55cm distance
 ⊗ Laser dots

Measurements:

